

532 44 63-83 Rev 1



Repair Parts Manual IPL Manual

YTH2348/240442

Please read the operator's manual carefully and make sure you understand the instructions before using the machine.

Por favor lea cuidadosamente y comprenda estas intrucciones antes de usar esta maquina.



English/Only

HOW TO USE THIS MANUAL

This manual is designed to provide the customer with a means to identify the parts on his/her tractor when ordering repair parts. The illustrations may or may not represent the actual assemblies; therefore, it is not recommended to use this manual as a guide to assemble or disassemble the tractor. Some hardware and parts are drawn larger in order to more readily identify them.

Each tractor has its own model number.

The model number for your tractor can be found on the fender under the seat.

When ordering parts, always give the following information:

- Product - "TRACTOR"
- MODEL NUMBER - "YTH2348" (240442)"
- Part Number
- Part Description

TABLE OF CONTENTS

SCHEMATIC	3
ELECTRICAL.....	4-5
CHASSIS	6-7
DRIVE.....	8-9
ENGINE.....	10-11
STEERING	12
SEAT	13
MOWER DECK	14-15
MOWER LIFT.....	16
DECALS.....	17
TRANSAXLE BREAKDOWN	18-19
ENGINE BREAKDOWN.....	20-24

COMO UTILIZAR ESTE MANUAL

Este manual está diseñado para brindarle al comprador un medio para identificar las piezas del tractor para cuando necesite hacer el pedido de un repuesto. Las ilustraciones pueden o no representar los ensambles reales; por lo tanto, no se recomienda utilizar este manual como una guía para ensamblar o desarmar el tractor. Algunos accesorios y piezas están dibujados en tamaños más grandes para identificarlos con mayor facilidad.

Cada tractor tiene su propio número de modelo.

El número de modelo del tractor se encuentra en el guardabarros debajo del asiento.

Cuando haga el pedido de una pieza, siempre brinde la siguiente información:

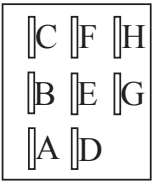
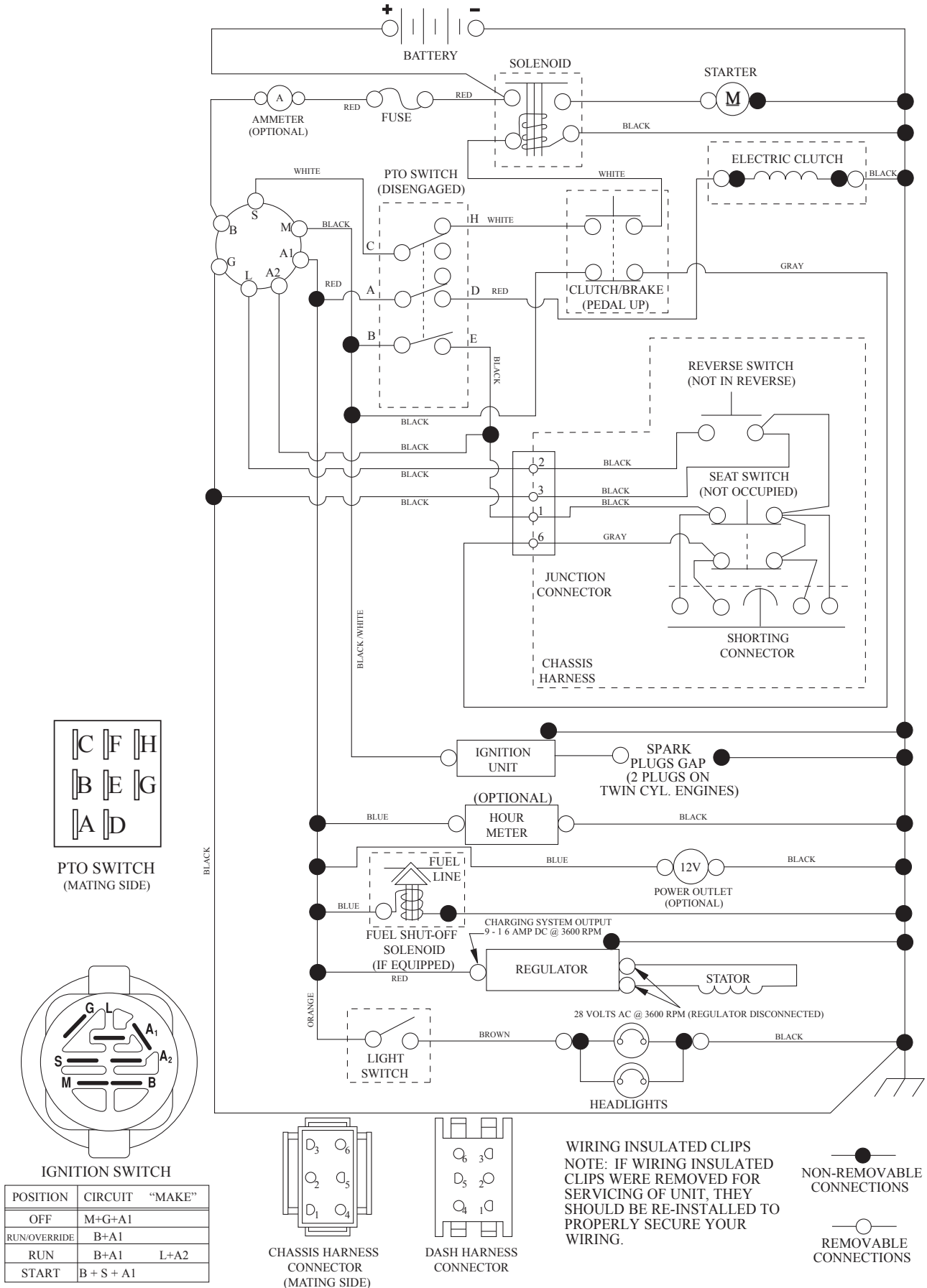
- Producto: "TRACTOR"
- NÚMERO DE MODELO: "YTH2348" (240442)"
- Número de pieza
- Descripción de la pieza

ÍNDICE

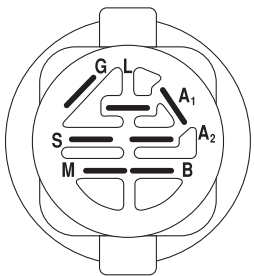
DIAGRAMA.....	25
DIAGRAMA ELÉCTRICO	26-27
CHASIS	28-29
TRANSMISIÓN	30-31
MOTOR	32-33
DIRECCIÓN	34
ASIENTO.....	35
PLATAFORMA DE LA CORTADORA DE CÉSPED.....	36-37
ELEVACIÓN DE LA CORTADORA DE CÉSPED.....	38
CALCOMANÍAS.....	39
TRANSEJE DESCOMPOSTURA.....	40-41
MOTOR DESCOMPOSTURA.....	42-46

TRACTOR - MODEL NO. YTH2348 (240442)

SCH12

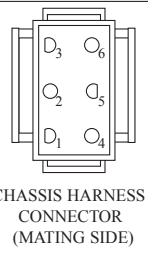


PTO SWITCH (MATING SIDE)

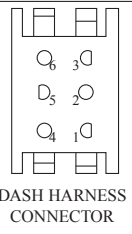


IGNITION SWITCH

POSITION	CIRCUIT	"MAKE"
OFF	M+G+A1	
RUN/OVERRIDE	B+A1	
RUN	B+A1	L+A2
START	B + S + A1	

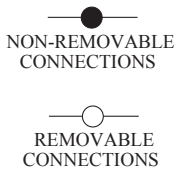


CHASSIS HARNESS CONNECTOR (MATING SIDE)



DASH HARNESS CONNECTOR

WIRING INSULATED CLIPS
NOTE: IF WIRING INSULATED CLIPS WERE REMOVED FOR SERVICING OF UNIT, THEY SHOULD BE RE-INSTALLED TO PROPERLY SECURE YOUR WIRING.



TRACTOR - MODEL NO. YTH2348 (240442)

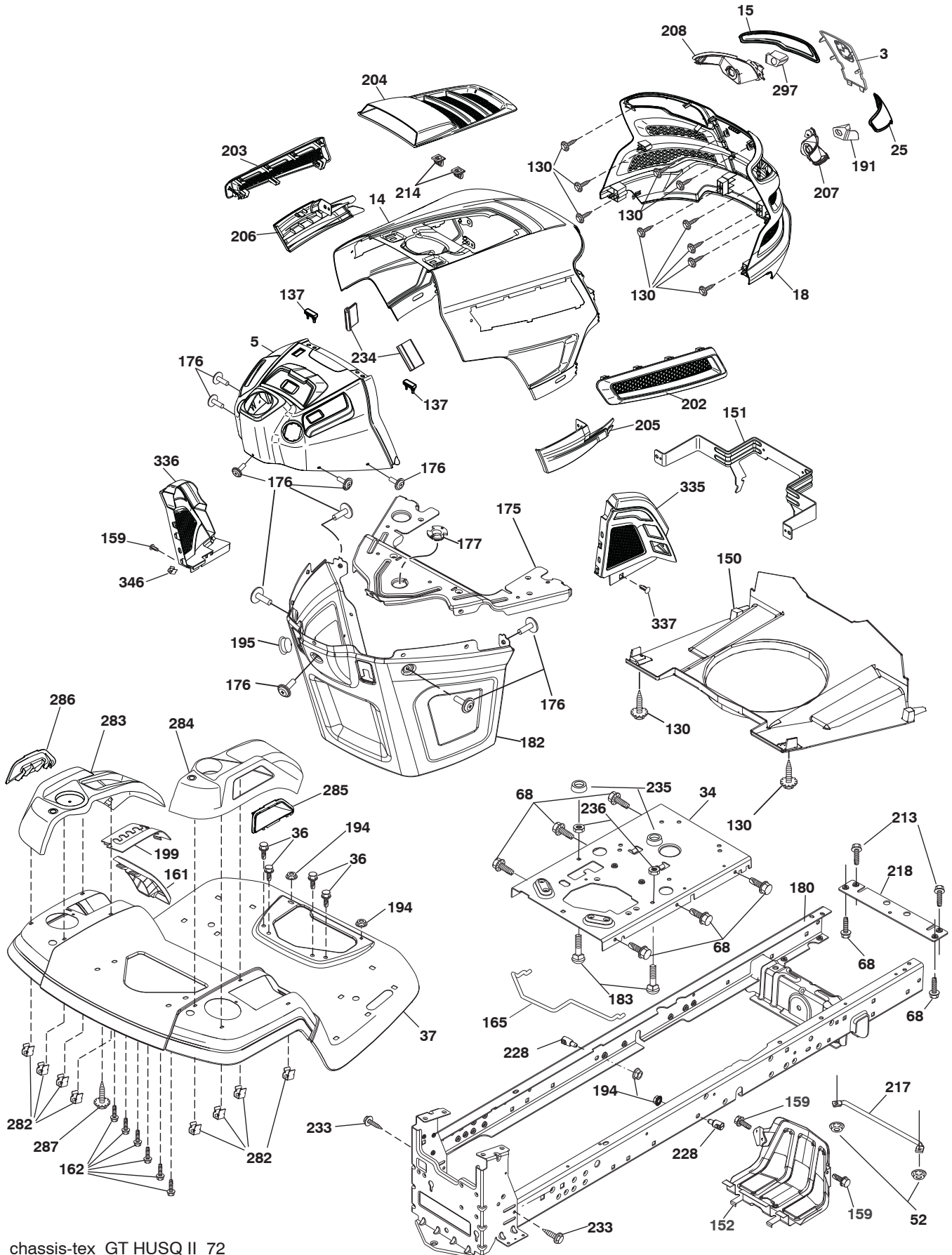
ELECTRICAL

KEY NO.	PART NO.	DESCRIPTION
1	532 16 34-65	Battery
2	874 76 04-12	Bolt Hex Hd 1/4-20 unc x 3/4
8	532 18 64-91	Battery Box
16	532 17 61-38	Switch Bagger Present
21	532 40 02-52	Harness Socket Light
22	532 00 41-52	Bulb, Light #1156
24	532 40 02-53	Cable Battery
25	532 41 28-95	Cable Starter
26	532 17 51-58	Fuse
27	873 51 04-00	Nut Keps Hex 1/4-20 unc
28	532 14 54-91	Cable Ground 21" Blk 6 Ga.
29	532 40 15-45	Switch Seat
30	532 19 33-50	Switch Ign
33	532 41 19-33	Key/Chain
34	532 11 07-12	Switch Light/Reset
40	532 40 11-04	Harness Ign. Dash
41	817 72 04-08	Screw Thd Cut 1/4-20 x 1/2
42	532 13 15-63	Cover Terminal Red
43	532 19 25-07	Solenoid
46	532 40 17-63	Gauge Hourmeter
50	532 17 46-51	Switch PTO
55	817 06 05-12	Screw Thdrol 5/16-18 x 3/4
71	532 19 42-76	Harness Ign
79	532 17 52-42	Socket Asm. Bulb Twistlock
90	532 43 53-95	Cover Terminal Battery
91	532 19 02-70	Strap Battery
99	817 67 04-12	Screw Hexwsh Thdrol 1/4-20 x 3/4
100	819 09 14-16	Washer 9/32 x 7/8 x 16 Ga.
102	532 40 44-54	Harness Pigtail
105	532 40 75-68	Switch Reverse TT Pedal Control

NOTE: All component dimensions given in U.S. inches
1 inch = 25.4 mm

TRACTOR - MODEL NO. YTH2348 (240442)

CHASSIS



chassis-tex_GT HUSQ II_72

TRACTOR - MODEL NO. YTH2348 (240442)

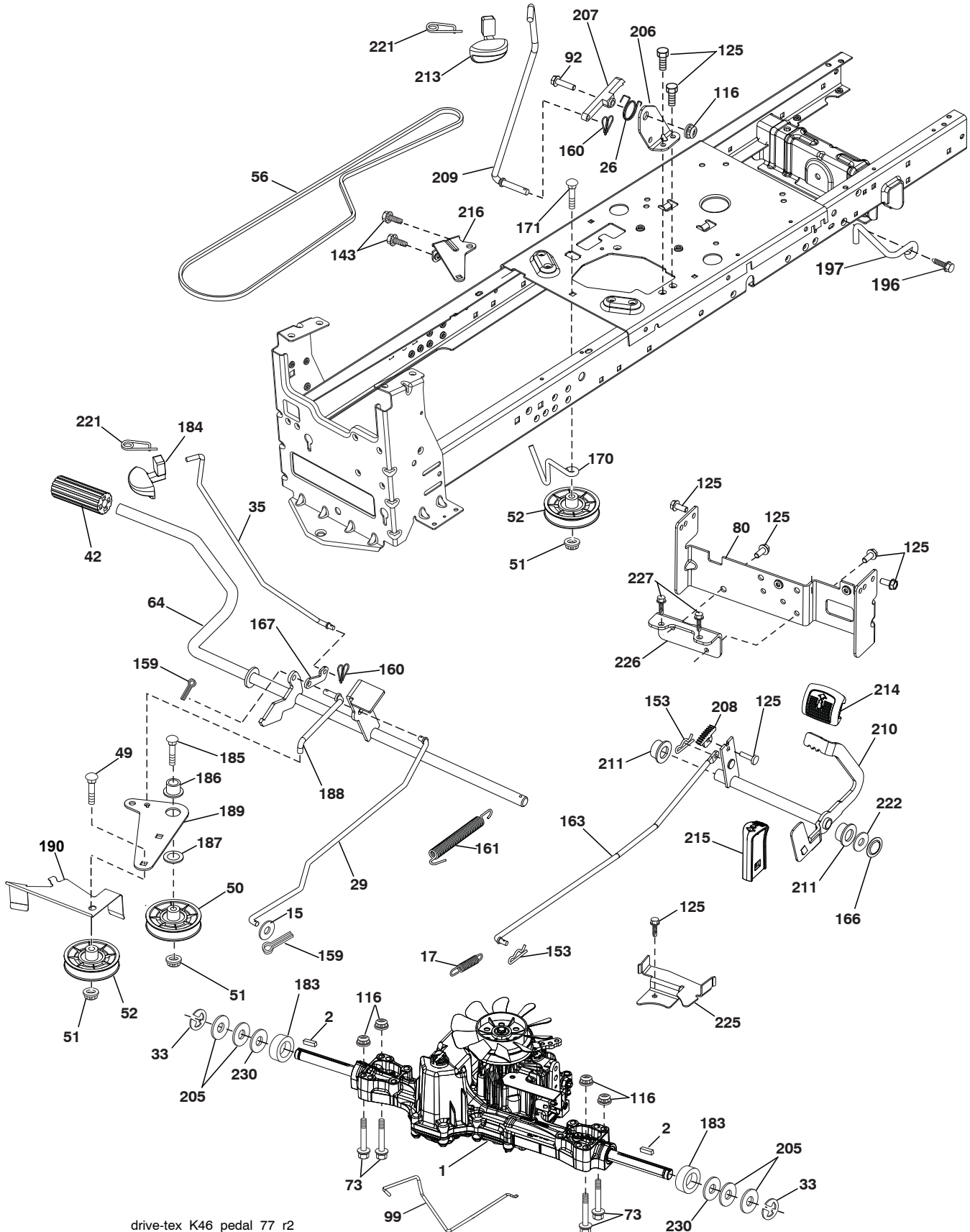
CHASSIS

3	532 43 97-52	Applique	203	532 43 97-27	Vent Side Hood LH
5	532 43 74-71	Dash	204	532 43 57-14	Vent Top Hood
14	532 44 11-77	Hood	205	532 43 97-30	Hood Side RH Trim
15	532 43 97-33	Lens LH	206	532 43 97-29	Hood Side LH Trim
18	532 43 77-62	Grille Asm.	207	532 43 97-34	Bezel RH
25	532 44 33-85	Lens RH	208	532 43 97-35	Bezel LH
34	532 19 61-25	Plate Engine	213	874 76 05-12	Bolt 5/16-18 unc x 3/4
36	817 06 05-12	Screw 5/16-18 x 3/4	214	532 19 91-45	Clip Retainer Tinner
37	532 44 11-78	Fender	217	532 40 91-67	Rod Pivot
52	873 68 05-00	Nut Lock 5/16-18	218	532 19 63-95	X-Piece Hood Stop
68	817 49 05-08	Screw 5/16-18 x 1/2	228	532 19 51-61	Stud Fastner
130	532 41 63-58	Screw #10 x 0.750 BOS Thread	233	532 19 65-39	Bolt Shoulder
137	532 40 75-90	Bumper Dash	234	532 40 47-42	Bumper Hood
150	532 43 97-74	Air Duct	235	532 40 61-29	Spacer Fender
151	532 43 66-70	Bracket Pivot	236	873 93 05-00	Nut Lock 5/16-18 unc
152	532 43 60-86	Shield Browning	282	532 41 41-10	Clip Retainer Console
159	817 00 06-12	Screw 3/8-16 x 3/4	283	532 43 98-61	Console Deck Lift
161	532 43 97-81	Window Fuel	284	532 43 98-23	Console Asm. Pedal Control
162	532 14 24-32	Screw	285	532 41 63-15	Console Insert RH
165	532 19 68-26	Support Tank Rear	286	532 41 63-17	Console Insert LH
175	532 19 63-04	Crossmember	287	817 60 04-06	Screw Hex Washhead 1/4-20 x 3/8
176	532 40 07-76	Screw 10-24 x 5/8	297	532 43 74-56	Insert Reflective LH
177	532 19 52-27	Bushing Steering	335	532 43 98-47	Cover Lower Dash RH
180	532 19 54-57	Chassis	336	532 44 53-09	Cover Lower Dash LH
182	532 40 68-59	Dash Lower	337	532 43 81-37	Clip xmas tree
183	874 52 05-20	Bolt 5/16-18 unc x 1-1/4	346	532 12 64-71	Clip Insulator 13/32
191	532 43 74-55	Insert Reflective RH			
194	873 90 05-00	Nut Lock Hex Flange 5/16-18			
195	532 40 41-37	Plug Hole Dash Lower			
199	532 41 34-85	Plate Deck Lift			
202	532 43 97-28	Vent Side Hood RH			

NOTE: All component dimensions given in U.S. inches
1 inch = 25.4 mm

TRACTOR - MODEL NO. YTH2348 (240442)

DRIVE



drive-tex_K46_pedal_77_r2

TRACTOR - MODEL NO. YTH2348 (240442)

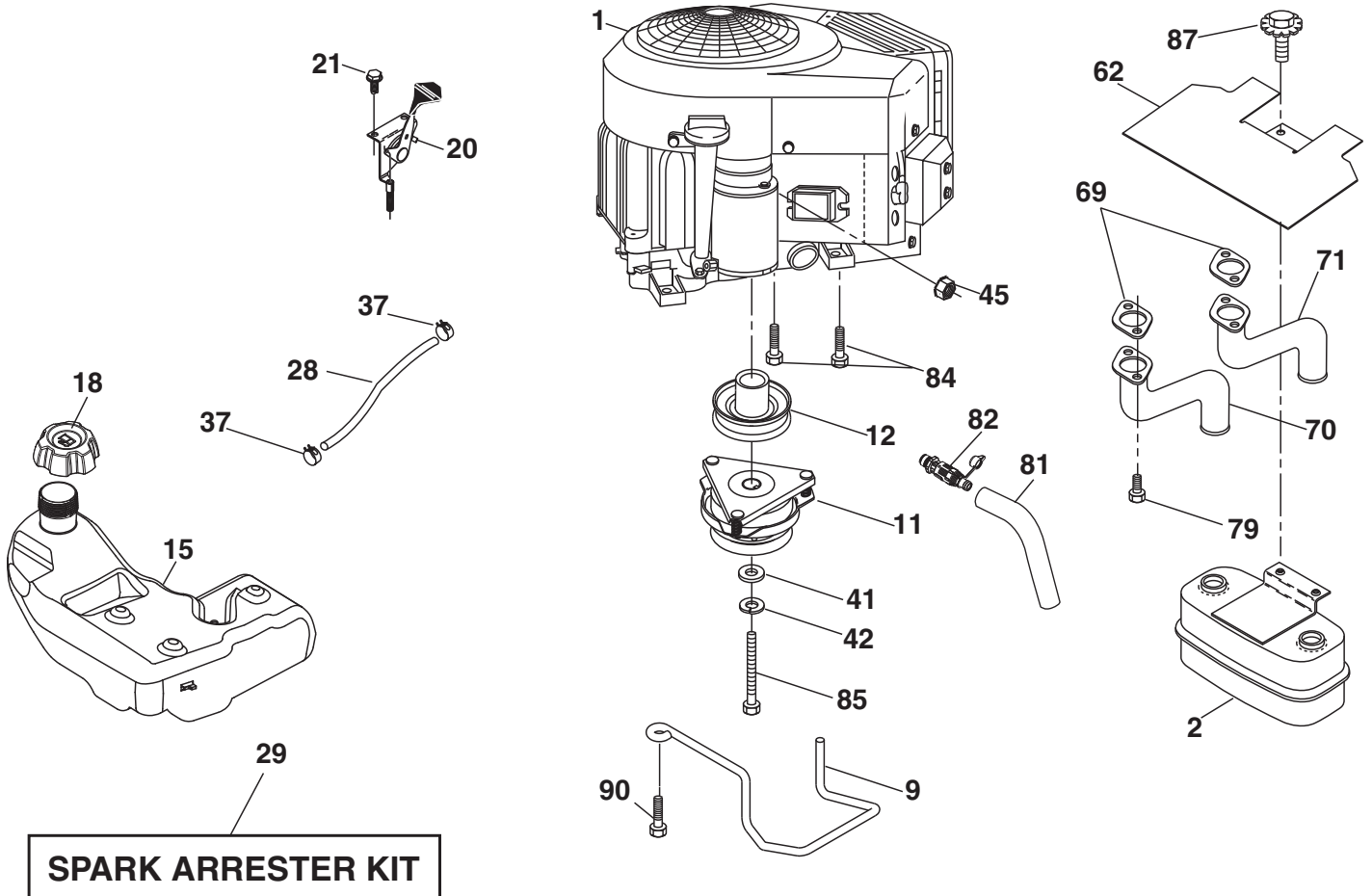
DRIVE

KEY NO.	PART NO.	DESCRIPTION	KEY NO.	PART NO.	DESCRIPTION
1	---	Transaxle, TUFFTORQ K46 BT (426120) (See Transaxle break- down.)	183	532 13 70-57	Spacer Split
2	532 12 35-83	Key	184	532 44 14-55	Handle Parking Brake
15	819 13 13-16	Washer 13/32 x 13/16 x 16 Ga.	185	872 11 06-22	Bolt Rdhd 3/8-16 unc x 2-3/4 Gr. 5
17	532 41 36-78	Spring, Brake	186	532 19 43-21	Spacer Retainer
26	532 19 96-79	Spring Return Cruise	187	819 13 32-10	Washer
29	532 40 38-06	Rod, Brake	188	532 19 43-23	Link Clutch Ground Drive
33	812 00 00-01	Ring E	189	532 19 43-17	Bellcrank Ground Drive
35	532 43 54-86	Rod, Brake, Park	190	532 19 43-18	Keeper Bellcrank Ground Drive
42	532 12 48-72	Cover, Foot Pedal	196	817 00 06-16	Screw 3/8-16 x 1
49	872 11 06-14	Bolt	197	532 19 58-04	Bracket Clutch Anti-Rotation
50	532 19 43-27	Pulley Idler Flat	205	532 12 17-48	Washer
51	873 90 06-00	Lock Nut 3/8-16	206	532 19 78-67	Bracket Mount Latch Cruise
52	532 19 43-26	Idler V-Groove	207	532 19 78-68	Latch Control Cruise
56	532 13 09-69	V-Belt, Drive	208	532 19 78-69	Gear Sector Control Cruise
64	532 19 78-65	Shaft Asm. Pedal Brake Control	209	532 19 95-92	Rod Control Cruise
73	874 49 05-40	Bolt Hex Flghd 5/16-18 x 2-1/2 Gr. 5	210	532 40 09-80	Rocker Asm. Pedal Control
80	532 44 06-19	Bracket Strap Torque	211	532 12 01-83	Bearing Nylon
92	874 76 05-20	Bolt Fin Hex 5/16-18 unc x 1.25	213	532 40 31-19	Knob Control Cruise
99	532 41 57-42	Rod Spring Bypass	214	532 42 12-63	Pedal Forward
116	873 90 05-00	Nut Lock Hex Flange 5/16-18	215	532 40 17-23	Pedal Reverse
125	817 00 05-12	Screw 5/16-18 x 3/4	216	532 19 61-31	Bracket Pulley Idler
143	817 49 05-08	Screw 5/16-18 x 1/2	221	532 40 31-87	Retainer Spring Clip Handle
153	532 12 47-88	Retainer Spring	222	879 21 20-10	Washer 21/32 x 1-1/4 10 Ga.
159	876 02 04-12	Pin Cotter 1/8 x 3/4	225	532 40 33-19	Keeper Belt Trans.
160	532 16 94-84	Retainer Clip	226	532 40 15-64	Bracket Mount Torque
161	532 10 57-09	Spring, Return, Clutch	227	817 49 05-12	Screw Thdrol 5/16-18 x 3/4
163	532 40 10-34	Rod Pedal Control	230	532 18 89-67	Washer Hardened
166	532 42 91-64	Nut Push			
167	532 40 52-57	Latch Brake Parking			
170	532 19 43-22	Keeper Belt Centerspan			
171	872 11 06-16	Bolt RDHD SQNK 3/8-16 unc x 2			

NOTE: All component dimensions given in U.S. inches
1 inch = 25.4 mm

TRACTOR - MODEL NO. YTH2348 (240442)

ENGINE



engine-tex_bs-2cyl_64

TRACTOR - MODEL NO. YTH2348 (240442)

ENGINE

KEY NO.	PART NO.	DESCRIPTION
1	---	Engine B&S Model No. 445577 2187-G1(438201) (See engine breakdown.)
2	532 14 97-23	Muffler
9	532 19 43-20	Keeper Belt Engine
11	532 40 00-08	Clutch Ogura
12	532 40 50-97	Pulley Engine
15	532 43 80-80	Tank Fuel
18	532 43 92-08	Cap
20	532 42 35-02	Control Throttle
21	532 41 63-58	Screw #10 x 0.750 BOS Thread
28	532 40 11-35	Fuel Line
29	532 13 71-80	Spark Arrester Kit
37	532 12 34-87	Clamp Hose
41	532 12 61-97	Washer 1-1/2 OD x 15/32 ID x .250
42	810 04 07-00	Washer Lock 7/16
45	873 51 04-00	Nut Keps Hex 1/4-20 unc
62	532 43 40-17	Shield Heat Muffler
69	532 16 53-91	Gasket
70	532 15 99-55	Exhaust Tube LH
71	532 16 05-89	Exhaust Tube RH
79	532 18 39-06	Screw Socket Head 5/16-18 x 1
81	532 14 84-56	Tube Drain Oil Easy
82	532 42 82-87	Plug Drain Oil
84	817 06 06-20	Screw 3/8-16 x 1-1/4
85	532 17 39-37	Bolt 7/16-20 x 4
87	532 17 18-77	Bolt 5/16-18 x 3/4
90	817 00 06-16	Screw 3/8-16 x 1

NOTE: All component dimensions given in U.S. inches
1 inch = 25.4 mm

For engine service and replacement parts, call the toll free number for your engine manufacturer listed below:

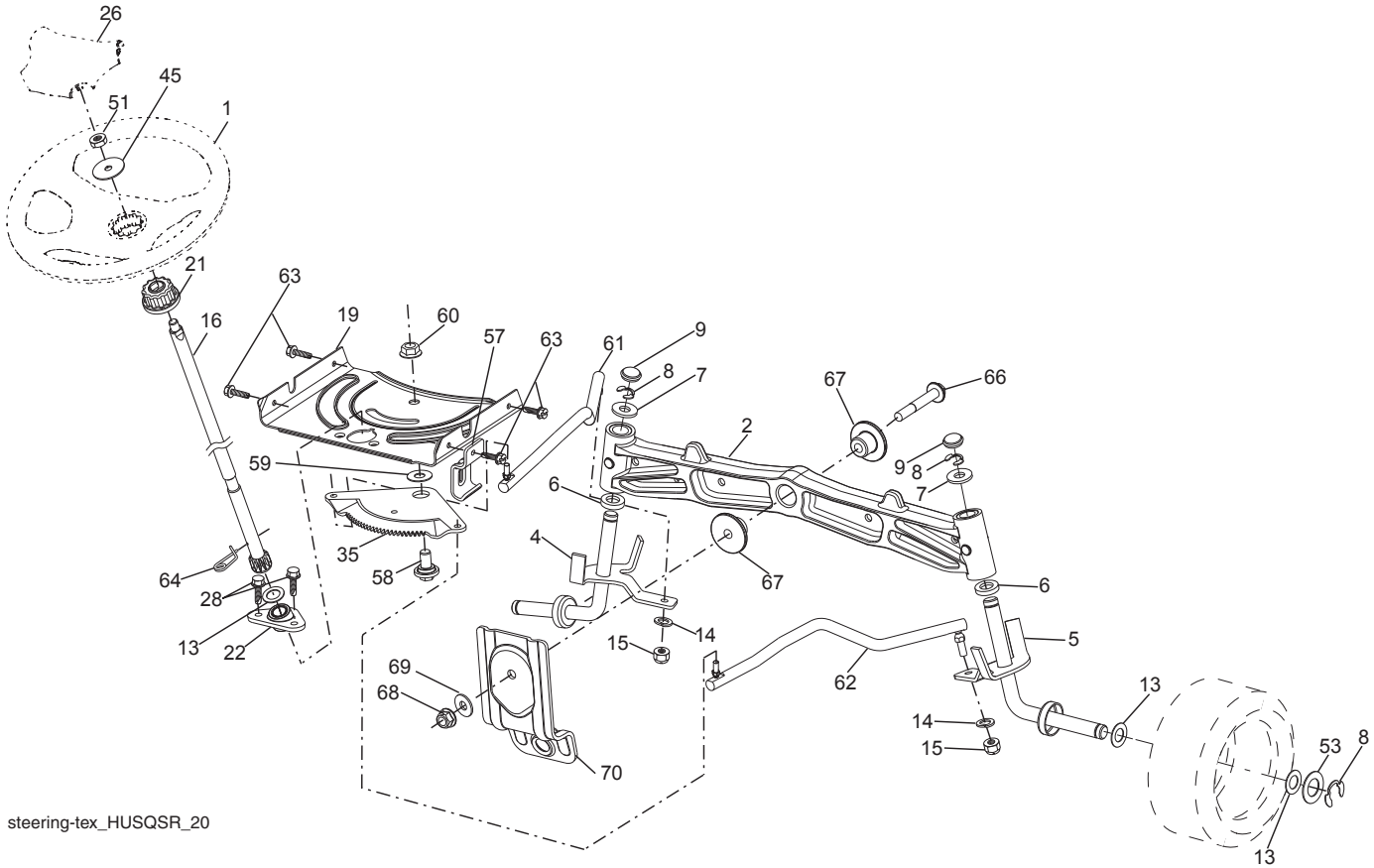
Briggs & Stratton 1-800-233-3723

Engine Power Rating Information

The gross power rating for individual gas engine models is labeled in accordance with SAE (Society of Automotive Engineers) code J1940 (Small Engine Power & Torque Rating Procedure), and rating performance has been obtained and corrected in accordance with SAE J1995 (Revision 2002-05). Torque values are derived at 3060 RPM; horsepower values are derived at 3600 RPM. Actual gross engine power will be lower and is affected by, among other things, ambient operating conditions and engine-to-engine variability. Given both the wide array of products on which engines are placed and the variety of environmental issues applicable to operating the equipment, the gas engine will not develop the rated gross power when used in a given piece of power equipment (actual "on-site" or net power). This difference is due to a variety of factors including, but not limited to, accessories (air cleaner, exhaust, charging, cooling, carburetor, fuel pump, etc.), application limitations, ambient operating conditions (temperature, humidity, altitude), and engine-to-engine variability. Due to manufacturing and capacity limitations, Briggs & Stratton may substitute an engine of higher rated power for this Series engine.

TRACTOR - MODEL NO. YTH2348 (240442)

STEERING ASSEMBLY



steering-tex_HUSQSR_20

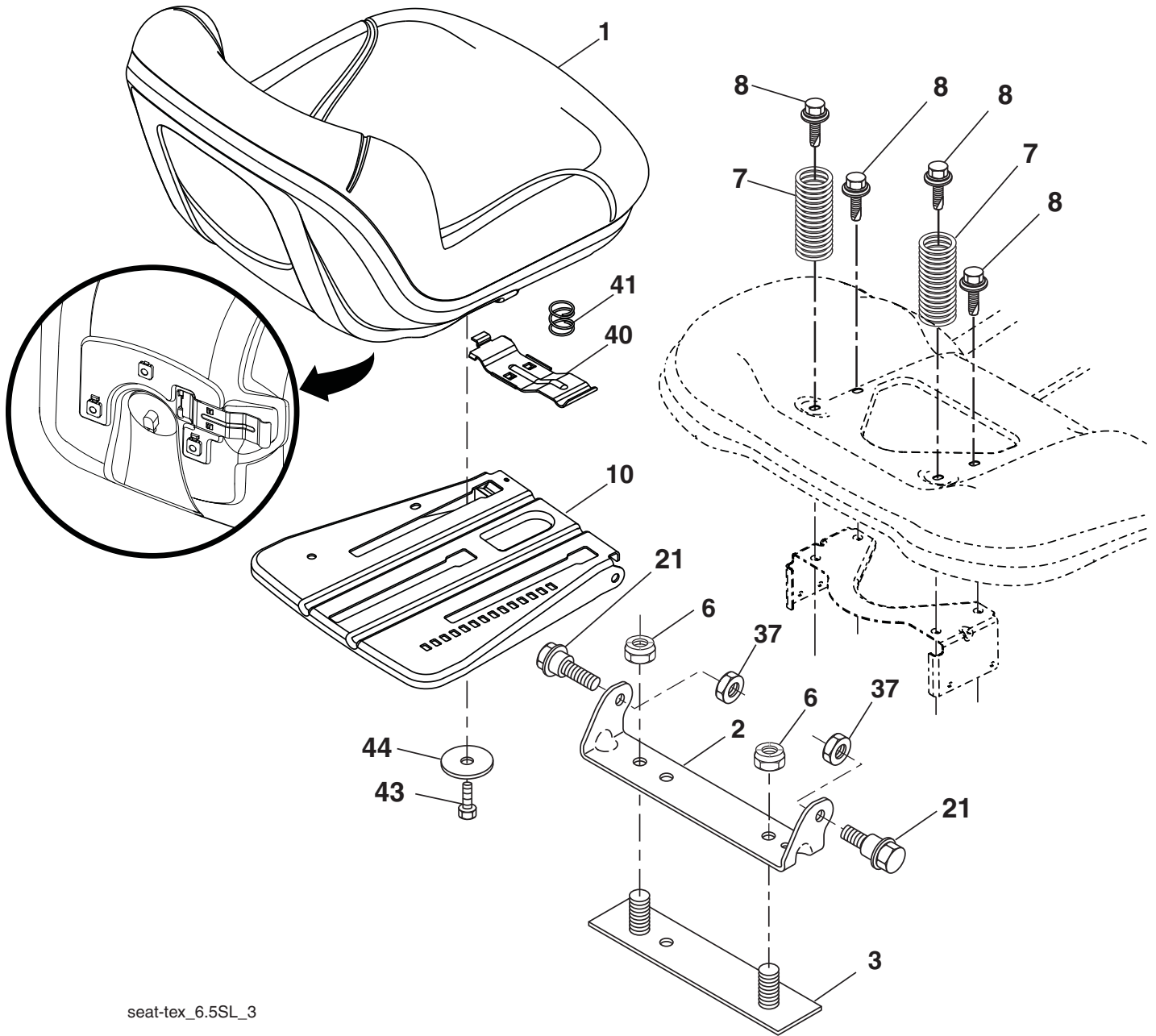
KEY NO.	PART NO.	DESCRIPTION
1	532 43 97-40	Wheel, Steering
2	532 19 59-68	Axle Asm., Front
4	532 40 30-87	Spindle Asm., LH
5	532 40 30-88	Spindle Asm., RH
6	532 12 49-31	Bearing, Race Thrust Harden
7	532 12 17-48	Washer 25/32 x 1-5/8 x 16 Ga.
8	812 00 00-29	Ring, Klip #T5304-75
9	532 12 12-32	Cap, Spindle
13	532 12 17-49	Washer 25/32 x 1-1/4 x 16 Ga.
14	810 04 06-00	Washer, Lock Hvy Hlcl Spr 3/8
15	873 54 06-00	Nut, Crown Lock 3/8-24 unf
16	532 40 82-19	Shaft Steering
19	532 19 47-29	Plate Steering
21	532 18 67-37	Adapter, Wheel Steering
22	532 42 05-37	Support Strg. Lower
26	532 43 97-43	Insert, Wheel Steering
28	817 00 06-12	Screw 3/8-16 x 3/4
35	532 19 47-32	Gear, Sector Plate
45	819 18 38-12	Washer 9/16 ID x 2-3/8 OD 12 Ga.

KEY NO.	PART NO.	DESCRIPTION
51	873 94 08-00	Nut Hex Jam Toplock 1/2-20 unf
53	532 18 89-67	Washer Hardened .793x1.637x.060
57	532 19 72-46	Bracket Upstop
58	532 19 47-47	Bolt Shoulder Sector Pivot CFM
59	532 19 47-48	Washer Thrust Sector Steering
60	873 97 10-00	Nut Flange Lock 5/8-11
61	532 19 47-40	Draglink, LH
62	532 19 47-41	Draglink, RH
63	817 00 05-12	Screw 5/16-18 x 3/4
64	532 19 98-49	Retainer Clip Spring Steering
66	871 02 07-48	Bolt Hex Fghd 7/16-14 x 3 Serr
67	532 19 47-37	Bushing PM Front Axle
68	873 90 07-00	Nut Lock Flange 7/16-14 Gr. 5
69	532 19 91-62	Washer 1.5 x .505 x .118
70	532 19 61-97	Bracket Deck Susp. Front

NOTE: All component dimensions given in U.S. inches
1 inch = 25.4 mm

TRACTOR - MODEL NO. YTH2348 (240442)

SEAT ASSEMBLY



seat-tex_6.5SL_3

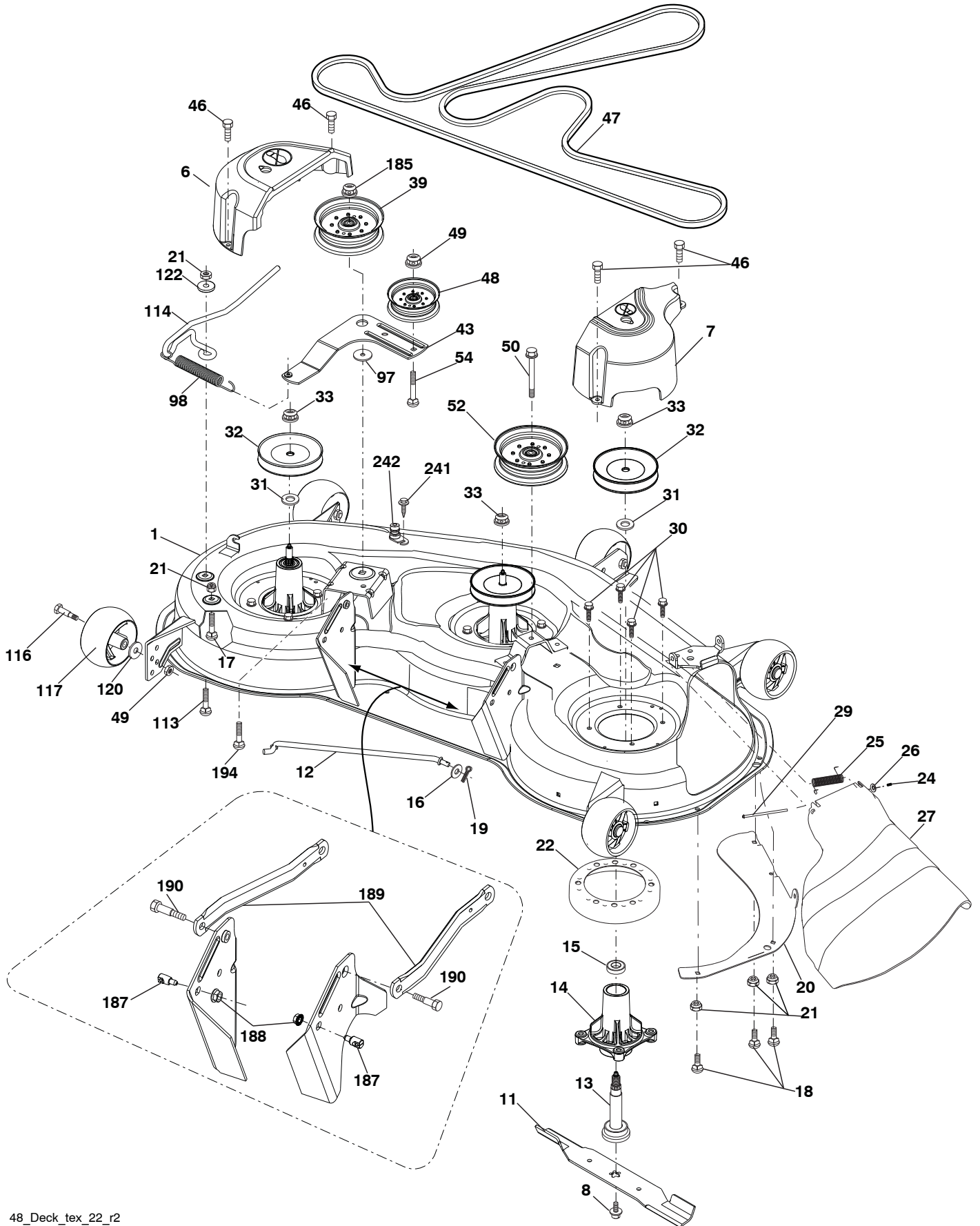
KEY NO.	PART NO.	DESCRIPTION
1	532 43 98-22	Seat
2	532 18 01-66	Bracket Pivot Fender
3	532 14 06-75	Strap, Asm Fender
6	873 80 06-00	Nut, Lock w/Ins. 3/8-16 unc
7	532 12 41-81	Spring, Seat Cprsn
8	532 17 18-77	Bolt 5/16-18 unc x 3/4 w/Sems
10	532 19 69-77	Pan, Seat
21	532 17 18-52	Bolt, Shoulder 5/16-18
37	873 80 05-00	Nut, Lock 5/16-18 unc

KEY NO.	PART NO.	DESCRIPTION
40	532 19 76-61	Handle Slide Seat
41	532 19 82-00	Spring Latch Seat
43	874 76 06-12	Bolt Fin Hex 3/8-16 unc x 3/4
44	819 13 38-12	Washer 13/32 x 2-3/8 x 12 Ga.

NOTE: All component dimensions given in U.S. inches
1 inch = 25.4 mm

TRACTOR - MODEL NO. YTH2348 (240442)

MOWER DECK



TRACTOR - MODEL NO. YTH2348 (240442)

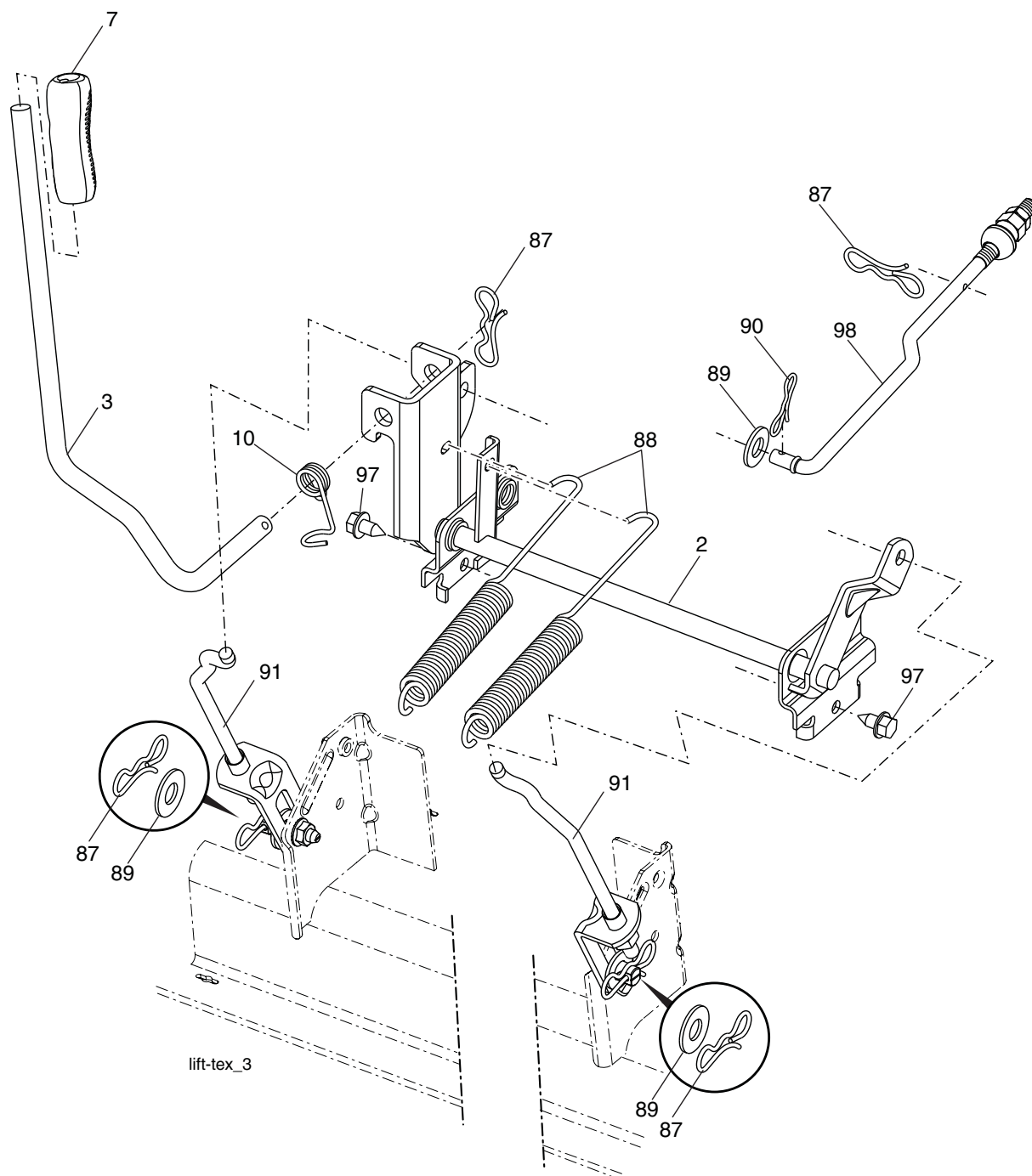
MOWER DECK

KEY NO.	PART NO.	DESCRIPTION	KEY NO.	PART NO.	DESCRIPTION
1	532 44 00-48	Deck Weldment Mower	49	873 90 06-00	Nut, Lock Flg. 3/8-16 unc
6	532 19 72-48	Cover Mandrel LH	50	817 49 06-36	Screw 3/8-16 x 1-1/4 unc
7	532 19 91-02	Cover Mandrel RH	52	532 19 31-97	Pulley Idler
8	532 19 30-03	Bolt/Washer Asm. 7/16-20 unf	54	872 11 06-12	Bolt Carriage 3/8-16 x 1-1/2 Gr. 5
11	532 18 00-54	Blade High Lift	97	532 17 85-15	Washer Hardened
12	532 40 48-51	Rod Anti-Sway	98	532 19 61-05	Spring Drive
13	532 18 72-91	Shaft Asm. w/Lower Bearing	113	872 11 05-08	Bolt Rdhd Sqnk 5/16-18 x 3/4
14	532 18 72-81	Housing, Mandrel	114	532 19 74-51	Rod Tension Relief
15	532 11 04-85	Bearing, Ball, Mandrel	116	532 19 34-06	Bolt, Shoulder
16	819 13 13-12	Washer 13/23 x 13/16 x 1 2 Ga.	117	532 17 48-73	Gauge Wheel
17	872 11 05-05	Bolt Carr. 5/16-18 x 5/8	120	819 13 20-12	Washer 13/32 x 1-1/4 x 12 Ga.
18	872 14 05-05	Bolt RdHd 5/16-18 unc x 5/8	122	532 18 75-57	Bushing Tension Relief
19	532 19 42-08	Pin Cotter 5/16 Bowtie Lock	185	873 90 07-00	Nut Lock Flange 7/16-14 Gr. 5
20	532 17 43-78	Baffle Vortex	187	532 19 51-61	Stud Fastener w/"D" Anti-Rotation
21	873 68 05-00	Nut, Crownlock 5/16-18 unc	188	873 90 05-00	Nut Lock Hex Flange
22	532 17 44-93	Stripper Mandrel	189	532 19 51-85	Arm Susp. Mower Rear
24	532 10 53-04	Cap Sleeve	190	532 19 65-39	Bolt Shoulder
25	532 17 81-02	Spring, Torsion	194	874 49 07-36	Bolt Hex Washer Head
26	532 11 04-52	Nut, Push	241	532 15 29-27	Screw TT 10-32 .5 .3/8
27	532 18 17-07	Deflector Shield	242	532 41 55-98	Port Washout
29	532 13 14-91	Rod, Hinge	--	532 41 64-05	Coupling Quick Connect
30	532 17 39-84	Screw, Thdroll Washer Head	--	532 18 72-92	Mandrel Assembly (Includes housing, shaft assembly, and bearing only - pulley/nut/washer and blade bolt/washers not included)
31	532 18 76-90	Washer, Spacer Mower	--	532 43 18-25	Replacement Mower, Complete
32	532 15 35-32	Pulley, Mandrel			
33	532 40 02-34	Nut, Flg. Top Lock			
39	532 19 73-80	Pulley, Idler, 4.50 HUB			
43	532 19 60-65	Arm, Idler			
46	532 13 77-29	Screw, Thdroll. 1/4-20 x 5/8			
47	532 19 72-42	Belt Drive Deck			
48	532 19 73-79	Pulley Idler 4.50 Raw			

NOTE: All component dimensions given in U.S. inches
1 inch = 25.4 mm

TRACTOR - MODEL NO. YTH2348 (240442)

MOWER LIFT



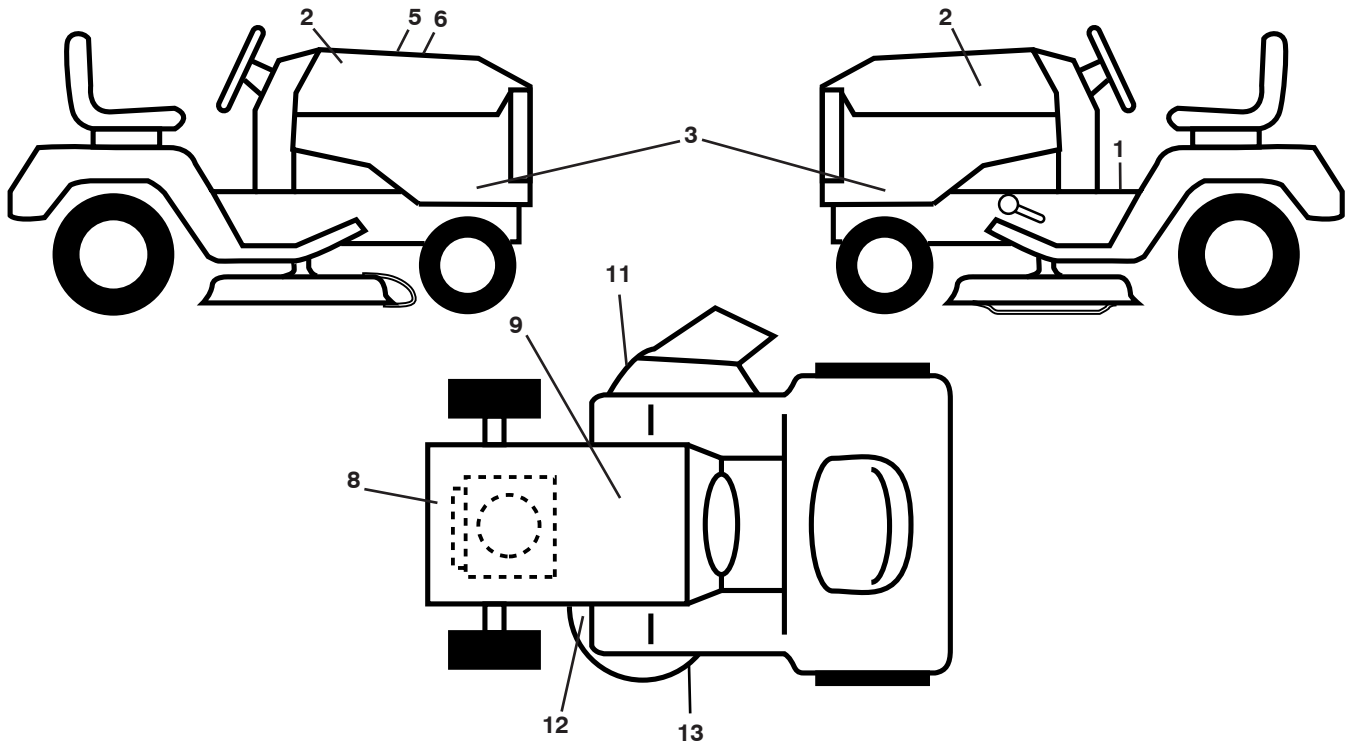
KEY NO.	PART NO.	DESCRIPTION
2	532 42 20-27	Shaft Asm., Lift
3	532 19 52-31	Lever Asm., Lift RH
7	532 41 15-55	Grip, Lever
10	532 19 63-14	Spring Torsion
87	532 19 42-09	Pin Cotter 7/16 Bow Tie Lock
88	532 41 07-10	Spring Lift Assist
89	819 19 19-12	Washer Clear Zinc

KEY NO.	PART NO.	DESCRIPTION
90	532 19 42-08	Pin Cotter 5/16 Bow Tie Lock
91	532 19 51-81	Link Lift Susp Mower Rear
97	817 00 06-12	Screw HEXWSH THDR 3/8-16x3/4
98	532 19 52-64	Link Lift Susp. Front Mower

NOTE: All component dimensions given in U.S. inches
1 inch = 25.4 mm

TRACTOR - MODEL NO. YTH2348 (240442)

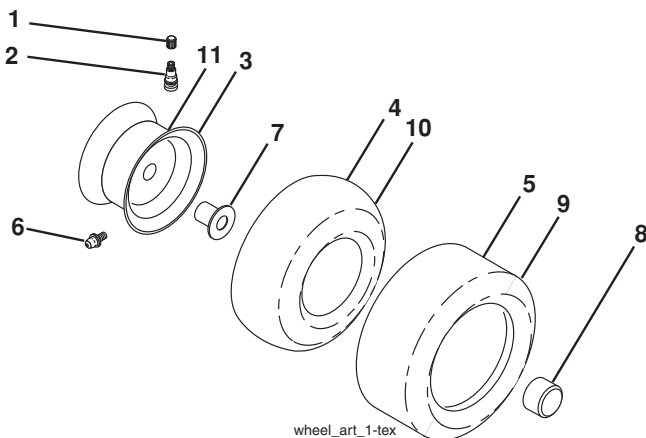
DECALS



KEY NO.	PART NO.	DESCRIPTION
1	532 41 16-57	Decal, Operators
2	532 42 91-96	Decal, Hood
3	532 43 86-67	Decal, Hood Panel SD
5	532 42 38-29	Decal, Customer Respons.
6	532 44 14-52	Decal, Replacement
8	532 42 95-57	Decal, Eng. HP
9	532 14 50-05	Decal, Battery Dnge/Poi
11	532 17 05-63	Decal, Warning

KEY NO.	PART NO.	DESCRIPTION
12	532 17 84-55	Decal, Mower Caution
13	532 19 87-85	Decal, Mower V-Belt Schematic
--	532 16 69-60	Decal, Bypass
--	532 43 96-81	Pad, Footrest, LH
--	532 43 96-82	Pad, Footrest, RH
--	532 44 63-82	Manual, Operator's (English/Spanish)
--	532 44 63-83	Manual, Repair Parts (English/Spanish)

WHEELS AND TIRES



KEY NO.	PART NO.	DESCRIPTION
1	532 05 91-92	Cap Valve Tire
2	532 06 51-39	Stem Valve
3	532 13 83-36	Rim Asm 6" Front Service
4	532 05 99-04	Tube Front (Service Item Only)
5	532 10 62-22	Tire F T 15 x 6.0-6 Service
6	532 12 49-57	Fitting Grease (Front Wheel Only)
7	532 12 49-59	Bearing Flange (Front Wheel nly)
8	532 17 50-39	Cap Axle Blk 1 50 x 1 00
9	532 13 84-68	Tire R T 18 x 9.5-8 Service
10	532 12 49-26	Tube Rear (Service Item Only)
11	532 13 83-37	Rim Asm 8" Rear Service
--	532 14 43-34	Sealant, Tire (10 oz. Tube)

NOTE: All component dimensions given in U.S. inches
1 inch = 25.4 mm

TRACTOR - MODEL NO. YTH2348 (240442)
TUFFTORQ TRANSAXLE MODEL NUMBER K46BT

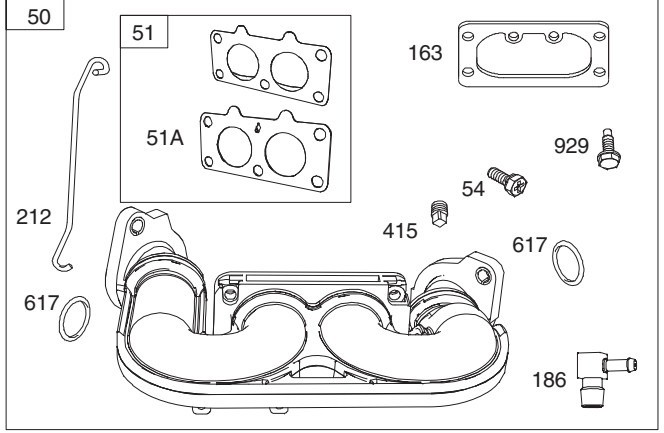
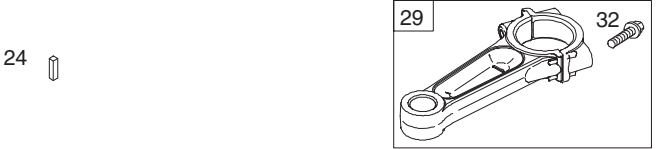
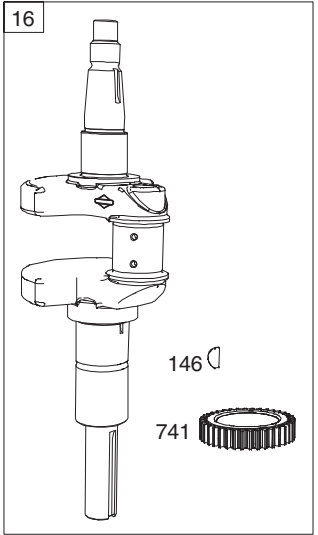
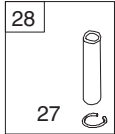
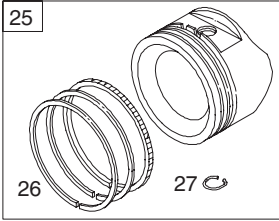
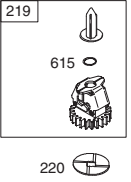
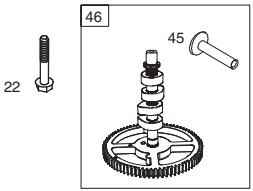
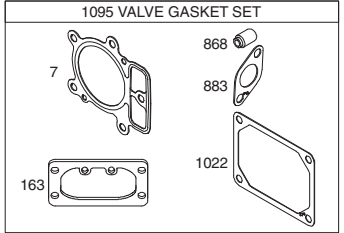
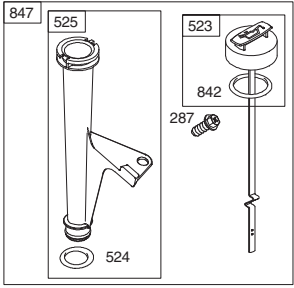
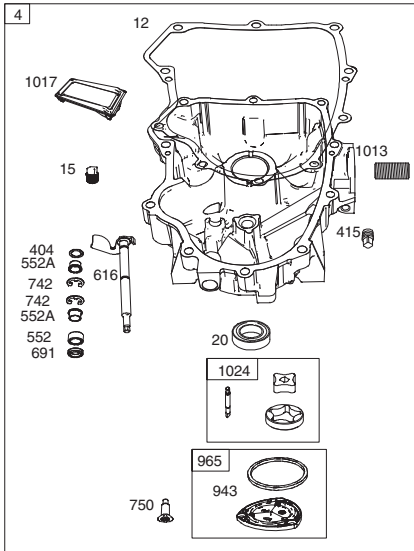
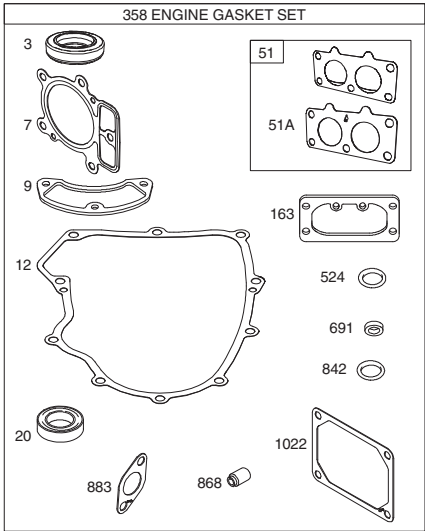
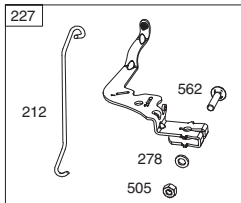
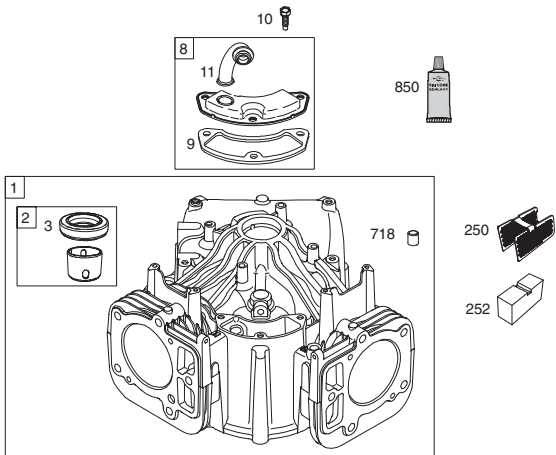
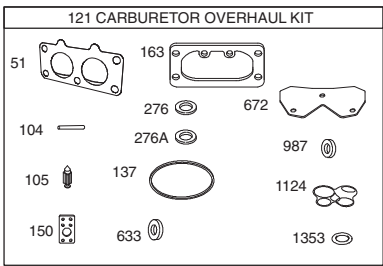
KEY NO.	PART NO.	DESCRIPTION
7	532 41 43-95	Vent Valve 15
8	532 41 43-96	Magnet
9	532 41 43-97	Magnet Holder
10	532 41 59-23	Pump Shaft/Bearing Kit
13	532 41 43-98	Bypass Lever
15	532 41 43-99	Sealing Cap 30
16	532 41 44-00	Snap Ring C 35
19	532 41 44-01	O-Ring 1a P10a
20	532 41 44-02	Seal Tc 153507
33	532 41 44-03	Pump Shaft (Standard)
34	532 41 44-04	E-Ring 15
35	532 41 44-05	Bearing 6202c3
53	532 41 44-31	Control Lever F
55	532 41 59-24	Washer 12
58	532 41 59-25	Roll Pin 6 * 40
59	532 41 59-26	O-Ring 1a P14
60	532 41 59-27	Nut 12
72	532 41 44-07	Seal 19 * 32 * 8
76	532 41 44-08	Brake Lever
78	532 41 44-09	Brake Return Spring
80	532 41 44-10	Spring Pln 5 * 32
81	532 41 44-11	O-Ring 1a P12
82	532 41 44-12	Spring Pin 4 * 16
83	532 41 44-13	Spine Collar
84	532 41 44-14	Pulley L
85	532 41 44-15	Fan, Black
86	532 41 44-16	Wave Washer
87	532 41 44-17	Snap Ring
90	532 41 44-18	Spring Pin 3.0a * 20
91	532 41 44-19	Oil Seal 16 * 22 *.03
95	532 41 48-50	Spring Pin 3.0a*16
96	532 41 44-20	Roll Pin 3.5 * 40
115	532 41 59-28	Switch 6440-11 Delta
116	532 41 59-29	Switch Bracket
117	532 41 59-30	Tapping Screw 8 * 20

NOTE: All component dimensions given in U.S. inches.
1 inch = 25.4 mm

TRACTOR - MODEL NO. YTH2348 (240442)

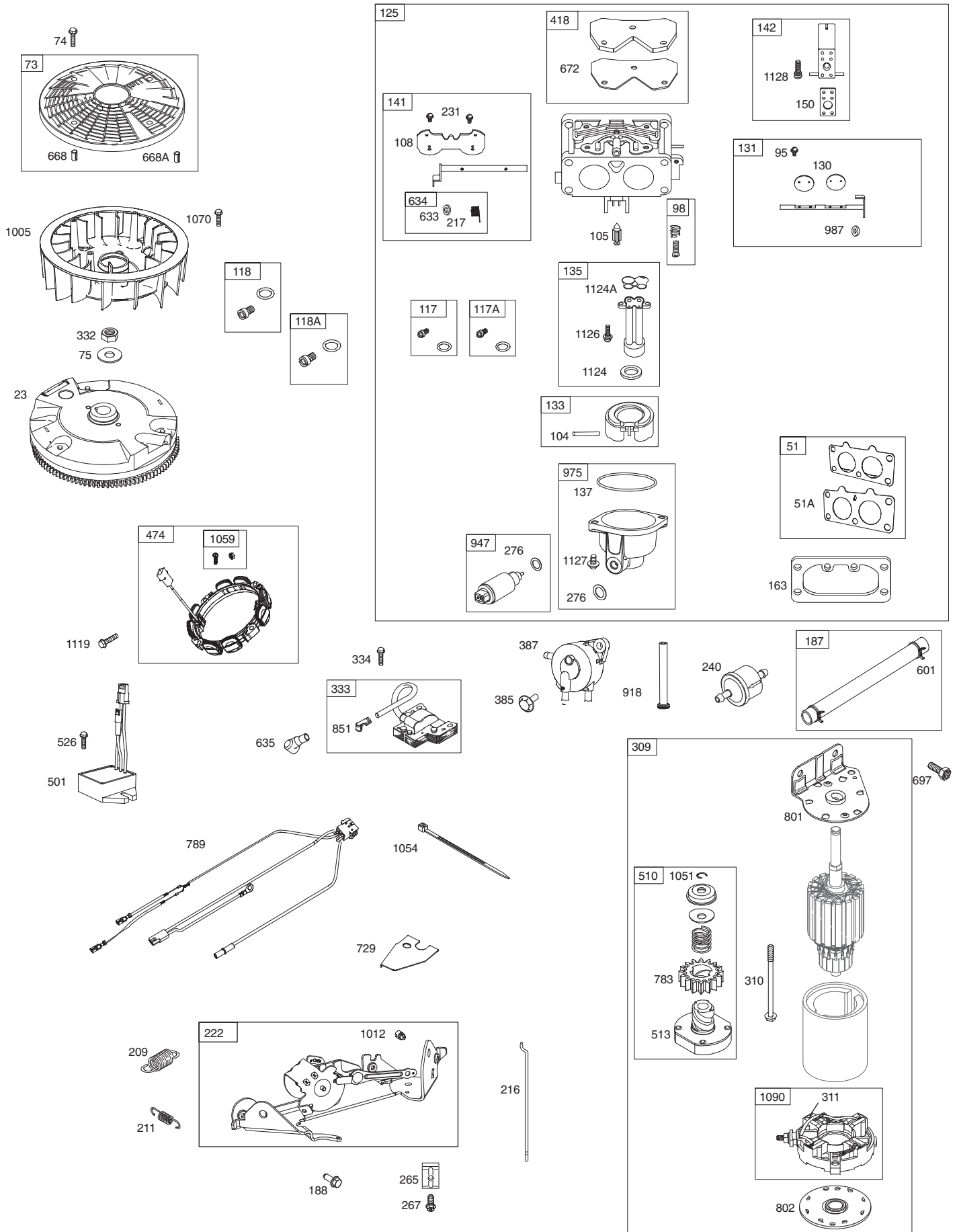
BRIGGS AND STRATTON ENGINE - MODEL NUMBER 445577, TYPE NUMBER 2187-G1

48 SHORT BLOCK 1058 OPERATOR'S MANUAL 1329 REPLACEMENT ENGINE 1330 REPAIR MANUAL



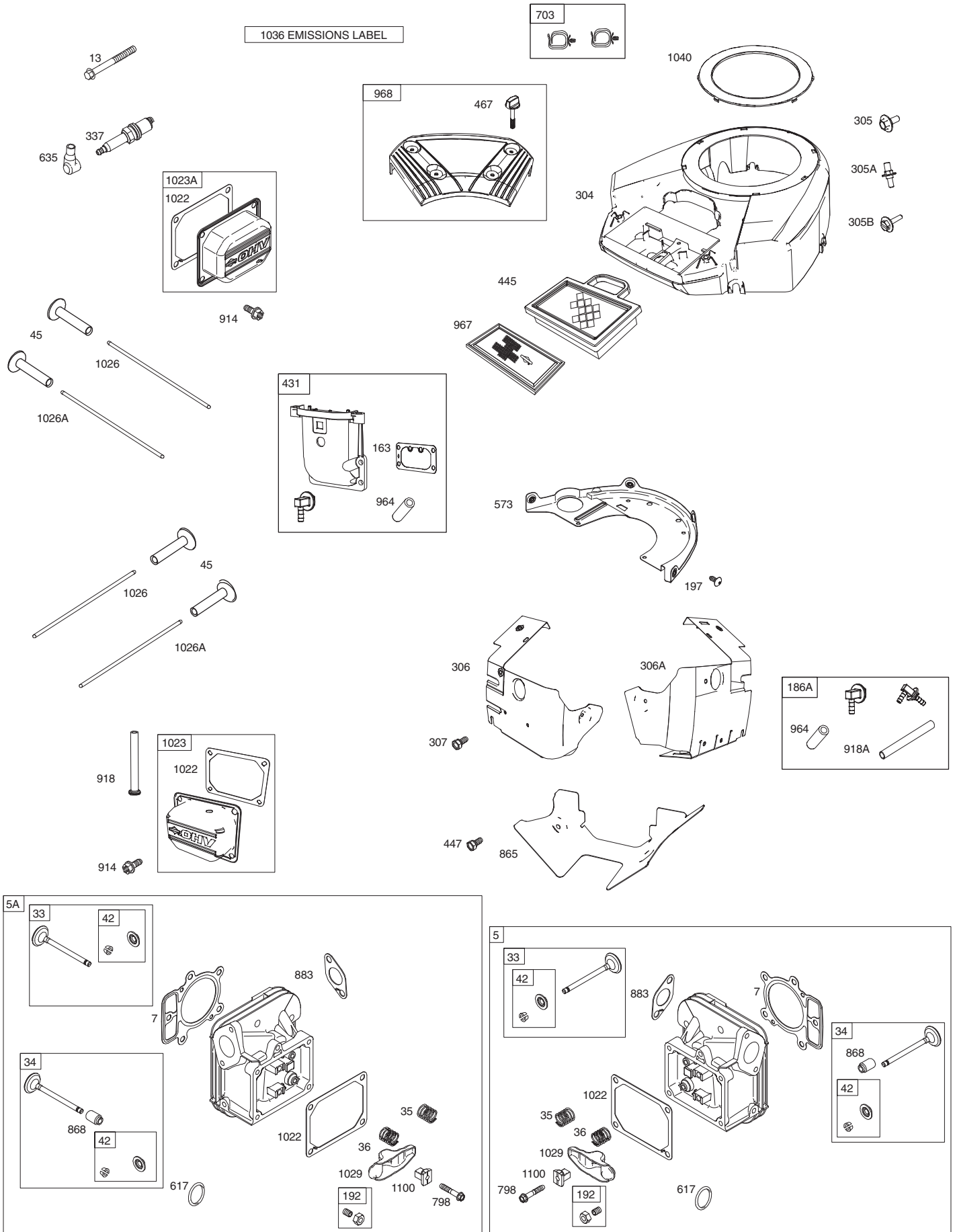
TRACTOR - MODEL NO. YTH2348 (240442)

BRIGGS AND STRATTON ENGINE - MODEL NUMBER 445577, TYPE NUMBER 2187-G1



TRACTOR - MODEL NO. YTH2348 (240442)

BRIGGS AND STRATTON ENGINE - MODEL NUMBER 445577, TYPE NUMBER 2187-G1



TRACTOR - MODEL NO. YTH2348 (240442)

BRIGGS AND STRATTON ENGINE - MODEL NUMBER 445577, TYPE NUMBER 2187-G1

KEY NO.	PART NO.	DESCRIPTION	KEY NO.	PART NO.	DESCRIPTION
1	793564	Cylinder Assembly	131	499805	Kit-Throttle Shaft
2	797673	Bushing/Seal Kit (Magneto Side)	133	699724	Float-Carburetor
3	391086s	Seal-Oil (Magneto Side)	135	699729	Tube-Fuel Transfer
4	796307	Sump-Engine	137	690994	Gasket-Float Bowl
5	796231	Head-Cylinder (Cylinder 1)	141	796228	Kit-Choke Shaft
5A	796232	Head-Cylinder (Cylinder 2)	142	699726	Nozzle-Carburetor
7	693997	Gasket-Cylinder Head	146	690979	Key-Timing
8	792185	Breather Assembly	150	690995	Gasket-Nozzle
9	690937	Gasket-Breather	163	691001	Gasket-Air Cleaner
10	697551	Screw (Breather Assembly)	186	795895	Hose-Connector (Intake Manifold)
11	792184	Tube-Breather	186A	799158	Hose-Connector (EVAP System)
12	697227	Gasket-Crankcase	187	791766	Line-Fuel (Cut to Required Length)
13	793988	Screw (Cylinder Head)	188	697551	Screw (Control Bracket)
15	690946	Plug-Oil Drain	192	690083	Adjuster-Rocker Arm
16	796237	Crankshaft	197	697820	Screw (Back Plate)
20	795387	Seal-Oil (PTO Side)	209	798921	Spring-Governor (Orange)
22	694966	Screw (Crankcase Cover/Sump)	211	691019	Spring-Governed Idle (No Color)
23	691053	Flywheel	212	695238	Link-Throttle
24	222698s	Key-Flywheel	216	796229	Link-Choke
25	792023	Piston Assembly (Standard)	217	695409	Spring-Choke Return
	792072	Piston Assembly (.020" Oversize)	219	793338	Gear-Governor
26	793561	Ring Set (Standard)	220	690412	Washer (Governor Gear)
	792073	Ring Set (.020" Oversize)	221	841026	Cup-Governor
27	690975	Lock-Piston Pin	222	795915	Bracket-Control
28	696581	Pin-Piston	227	798856	Lever-Governor Control
29	796209	Rod-Connecting	231	690718	Screw (Choke Valve)
32	690976	Screw (Connecting Rod)	240	691035	Filter-Fuel
33	697576	Valve-Exhaust	250	690957	Retainer-Breather
34	792200	Valve-Intake	252	690956	Collector-Oil
35	694865	Spring-Valve (Intake)	265	691024	Clamp-Casing
36	694865	Spring-Valve (Exhaust)	267	792629	Screw (Casing Clamp)
42	499586	Keeper-Valve	276	695410	Washer-Sealing
45	690977	Tappet-Valve	278	792651	Washer (Governor Control Lever)
46	790562	Camshaft	287	697820	Screw (Dipstick Tube)
48	698172	Short Block	304	797406	Housing-Blower
50	695241	Manifold-Intake	305	691005	Screw (Blower Housing) (1/4-20x.68)
51	795123	Gasket-Intake	305A	698336	Screw (Blower Housing)
51A	690950	Gasket-Intake	305B	790690	Screw (Blower Housing) (Blower Housing to Intake Elbow)
53	690951	Stud (Carburetor)	306	796852	Shield-Cylinder (Cylinder 1)
54	699816	Screw (Intake Manifold)	306A	798855	Shield-Cylinder (Cylinder 2)
73	494439	Screen-Rotating	307	697551	Screw (Air Guide Cover) (1/4-20x.66)
74	698425	Screw (Rotating Screen)	309	497595	Motor-Starter
75	691056	Washer (Flywheel)	310	690323	Screw (Starter Motor)
95	690718	Screw (Throttle Valve)	332	691059	Nut (Flywheel)
98	699721	Kit-Idle Speed	333	691060	Armature-Magneto
104	694918	Pin-Float Hinge	334	691061	Screw (Magneto Armature)
105	797410	Valve-Float Needle	337	491055s	Plug-Spark
108	699723	Valve-Choke	358	694012	Gasket Set-Engine
117	791501	Jet-Main (Standard) (Left)	385	797409	Screw (Fuel Pump)
117A	791502	Jet-Main (Standard) (Right)	387	808656	Pump-Fuel
118	695415	Jet-Main (High Altitude) (Left)	404	690442	Washer (Governor Crank)
118A	843099	Jet-Main (High Altitude) (Right)			
121	797890	Kit-Carburetor Overhaul			
125	796258	Carburetor			
130	690993	Valve-Throttle			

TRACTOR - MODEL NO. YTH2348 (240442)

BRIGGS AND STRATTON ENGINE - MODEL NUMBER 445577, TYPE NUMBER 2187-G1

KEY NO.	PART NO.	DESCRIPTION	KEY NO.	PART NO.	DESCRIPTION
415	794903	Plug (Oil Pressure Switch Hole)	914	691127	Screw (Rocker Cover)
415A	690283	Plug (Intake Manifold)	918	797408	Hose-Vacuum (Rocker Cover)
418	795912	Plate-Carburetor	918A	799160	Hose-Vacuum (EVAP System)
431	798859	Elbow-Intake	943	796222	Seal-O Ring (Oil Pump Cover)
445	499486s	Filter-Air Cleaner Cartridge	947	798779	Solenoid-Fuel
447	691003	Screw (Air Guide Cover) (10-24x.437)	964	799159	Cap-Connector
462	691261	Washer (Starter Cable)	965	796221	Cover-Oil Pump
467	691008	Knob-Air Cleaner	967	273638s	Filter-Pre Cleaner
474	696458	Alternator	968	791242	Cover-Air Cleaner
501	797375	Regulator	975	798778	Bowl-Fuel
505	691029	Nut (Governor Control Lever)	987	691000	Seal-Throttle Shaft
510	696541	Drive-Starter	1005	791236	Fan-Flywheel
513	692024	Clutch-Drive	1012	797926	Retainer-Link
523	691036	Dipstick	1013	690954	Nipple-Oil Filter
524	691032	Seal-Dipstick Tube	1017	796214	Screen-Oil Pump
525	691037	Tube-Dipstick	1022	690971	Gasket-Rocker Cover
526	697551	Screw (Regulator)	1023	793146	Cover-Rocker (Cylinder 1)
552	796638	Bushing-Governor Crank	1023A	499600	Cover-Rocker (Cylinder 2)
552A	690553	Bushing-Governor Crank	1024	796220	Pump-Oil
562	690311	Screw (Governor Control Lever)	1026	690981	Rod-Push (Steel)
573	790444	Plate-Back	1026A	690982	Rod-Push (Aluminum)
601	691038	Hose-Clamp (Black)	1027	492932s	Filter-Oil
615	698290	Retainer-Governor Shaft	1029	690972	Arm-Rocker
616	691045	Crank-Governor	1036		Label-Emissions (Available from a Briggs & Stratton Authorized Dealer)
617	697891	Seal-O Ring (Intake Manifold) (Red)	1040	791237	Plate-Trim
633	699813	Seal-Choke/Throttle Shaft (Choke Shaft)	1051	691265	Ring-Retaining
634	698779	Spring/Seal Assembly	1054	280275	Tie-Cable
635	66538s	Boot-Spark Plug	1058	276245	Operator's Manual
654	690958	Nut (Carburetor)	1059	698516	Kit-Screw/Washer
668	691215	Spacer (Rotating Screen)	1070	791680	Screw (Flywheel Fan)
668A	691500	Spacer (Rotating Screen)	1090	691293	Retainer-Brush
672	690234	Gasket-Carburetor Plate	1095	694013	Gasket Set-Valve
691	790574	Seal-Governor Shaft	1000	791959	Pivot-Rocker Arm
697	690372	Screw (Drive Cap)	1119	691183	Screw (Alternator)
703	691010	Clip	1124	841653	Seal-O Ring (Fuel Transfer Tube)
718	690959	Pin-Locating	1124A	690988	Seal-O Ring (Fuel Transfer Tube)
729	797454	Clip-Wire	1126	690991	Screw (Fuel Transfer Tube)
741	690980	Gear-Timing	1127	690992	Screw (Float Bowl)
742	690328	Retainer-E Ring	1128	690990	Screw (Carburetor Nozzle)
750	796208	Screw (Oil Pump Cover)	1329	N/A	Replacement Engine (Not Available At This Printing)
783	695708	Gear-Pinion	1330	273521	Repair Manual
789	797424	Harness-Wiring			
798	697890	Screw (Rocker Arm)			
801	691283	Cap-Drive			Engine Gasket Set Key No. 358
802	691286	Cap-End			Valve Gasket Set Key No. 1095
842	691031	Seal-O Ring (Dipstick)			Carburetor Overhaul Kit Key No. 121
847	499602	Dipstick/Tube Assembly			
850	100106	Sealant-Liquid			
851	493880s	Terminal-Spark Plug			
865	691015	Cover-Air Guide (Valley)			
868	690968	Seal-Valve			
883	690970	Gasket-Exhaust			

NOTE: All component dimensions given in U.S. inches.
1 inch = 25.4 mm